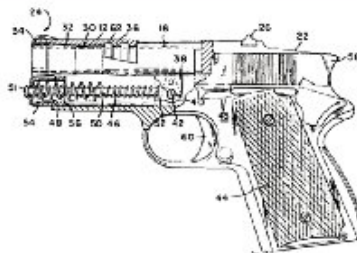
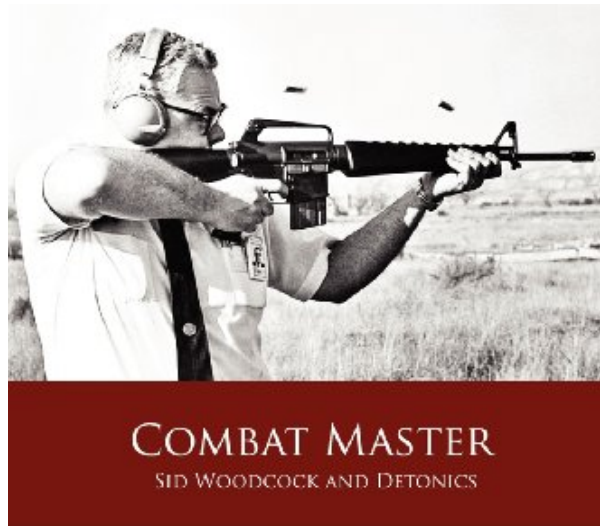


# COMBAT MASTER - SID WOODCOCK AND DETONICS BY ALLEN CHINN



BY ALLEN J. CHINN

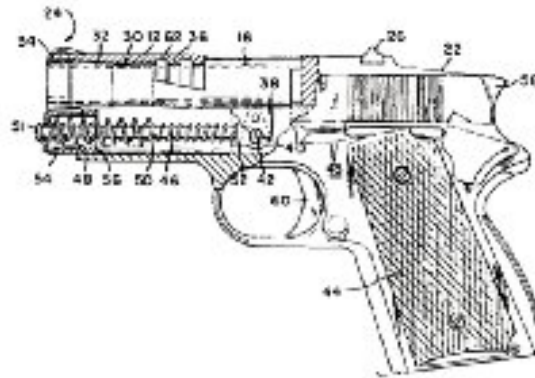
**DOWNLOAD EBOOK : COMBAT MASTER - SID WOODCOCK AND DETONICS  
BY ALLEN CHINN PDF**





# COMBAT MASTER

SID WOODCOCK AND DETONICS



BY ALLEN J. CHINN

Click link bellow and free register to download ebook:  
**COMBAT MASTER - SID WOODCOCK AND DETONICS BY ALLEN CHINN**

[DOWNLOAD FROM OUR ONLINE LIBRARY](#)

# **COMBAT MASTER - SID WOODCOCK AND DETONICS BY ALLEN CHINN PDF**

As one of the window to open up the new globe, this *Combat Master - Sid Woodcock And Detonics By Allen Chinn* provides its amazing writing from the writer. Published in one of the popular authors, this publication *Combat Master - Sid Woodcock And Detonics By Allen Chinn* turned into one of one of the most desired books lately. Really, the book will certainly not matter if that *Combat Master - Sid Woodcock And Detonics By Allen Chinn* is a best seller or otherwise. Every book will always offer ideal resources to obtain the viewers all finest.

# COMBAT MASTER - SID WOODCOCK AND DETONICS BY ALLEN CHINN PDF

[Download: COMBAT MASTER - SID WOODCOCK AND DETONICS BY ALLEN CHINN PDF](#)

**Combat Master - Sid Woodcock And Detonics By Allen Chinn.** Happy reading! This is exactly what we want to state to you which like reading so much. Just what about you that assert that reading are only obligation? Don't bother, reviewing practice ought to be begun with some specific reasons. Among them is reviewing by responsibility. As what we intend to provide right here, guide qualified *Combat Master - Sid Woodcock And Detonics By Allen Chinn* is not kind of obligated book. You could enjoy this publication *Combat Master - Sid Woodcock And Detonics By Allen Chinn* to check out.

When going to take the experience or thoughts kinds others, book *Combat Master - Sid Woodcock And Detonics By Allen Chinn* can be a great resource. It holds true. You can read this *Combat Master - Sid Woodcock And Detonics By Allen Chinn* as the resource that can be downloaded below. The method to download is also simple. You can go to the link web page that we provide and then purchase guide to make a deal. Download *Combat Master - Sid Woodcock And Detonics By Allen Chinn* and also you can deposit in your very own tool.

Downloading and install guide *Combat Master - Sid Woodcock And Detonics By Allen Chinn* in this internet site listings can give you much more advantages. It will reveal you the best book collections as well as completed collections. A lot of publications can be found in this internet site. So, this is not only this *Combat Master - Sid Woodcock And Detonics By Allen Chinn* Nonetheless, this book is referred to check out due to the fact that it is an inspiring book to provide you much more opportunity to obtain experiences as well as ideas. This is straightforward, check out the soft documents of guide [Combat Master - Sid Woodcock And Detonics By Allen Chinn](#) as well as you get it.

# COMBAT MASTER - SID WOODCOCK AND DETONICS BY ALLEN CHINN PDF

If I told you that there was a person that was one of the early 1940s OSS (Office of Strategic Services) operatives and later worked under contract for the CIA (Central Intelligence Agency), Atomic Energy Commission, Department of Defense, FBI (Federal Bureau of Investigation), Secret Service and the Department of Justice; trained at Shaolin during World War II, trained at the Kodokan in Japan after World War II, was a Grandmaster of Chin Na, 8th Degree Black Belt in Shinobi, instructor of units from the U.S. Army Special Forces and U.S. Navy Seal Teams, taught Bruce Lee joint locking techniques; an expert in firearms and explosives, and a watch maker you would think I was crazy or a liar. Sid was all of these things and more. This book is my memoir of my friend Sid Woodcock and Detonics the gun company he made famous. Sid's background insured that the Detonics Combat Master was a pistol fit for impossible missions. Sid and the pistol that he made famous were indeed Combat Masters.

- Sales Rank: #1157386 in Books
- Brand: Brand: lulu.com
- Published on: 2012-01-27
- Original language: English
- Number of items: 1
- Dimensions: 9.00" h x .34" w x 6.00" l, .45 pounds
- Binding: Paperback
- 134 pages

## Features

- Used Book in Good Condition

## Most helpful customer reviews

2 of 2 people found the following review helpful.

Interesting read, could have been better

By Reviewer S.

If you want some insight in to the original Detonics operation, this is your book, in fact it is the only book I have run across that talks about this short lived but influential gun maker.

I gave this book a three star rating, and would have given it a two and a half were that an option, for a few reasons. One, there are numerous spelling and grammatical errors. Secondly, there are some editing errors. Thirdly, it is far too short of a book for the price being asked. I am not a very fast reader yet finished this book in about an hour. That is far too short to be rated much more than a short story.

Be warned that most of this book focuses on the Author, Mr. Chinn, and his relationship with Sid Woodcock who was a co-founder of the original Detonics plant in Bellevue, WA. A lot of what he has to say has little to do with Detonics. He also spends a lot of time talking about Kung-Fu, which isn't in and of itself a bad thing, but has nothing to do with Guns - which is the reason why I bought this book.

All in all, this book is enjoyable but I felt it could have been much better. The Author barely touches on some stories that I would have liked to hear more about. The book is supposed to be about Sid Woodcock, but we never really hear where he was from or how he grew up, or what his family life was like, or what it was like for him to run a gun company that eventually failed for fiscal reasons - or what he did with himself afterwards, and on and on. Anecdotal stories are related without much context, which left me wondering if segments of the story were supposed to be true or an example of Sid's sense of humor. The book has a rushed to production and incomplete feel about it because of that.

1 of 1 people found the following review helpful.

Amateur treatment of a fascinating subject

By Lawrence of Arabia

I hesitate to call this a book - it's more like a loose collection of notes thrown together with no proof reading or copy editing.

The author writes in short, simple, awkward, declarative sentences that take all joy out of his subject. This is the literary equivalent of an eight year old mechanically banging out "Chopsticks" on a piano. Here's an example: when describing Sid Woodcock's super-secret martial arts training in the 1940s, training so secret that no westerner has ever been allowed to observe it, it winds up being Sid in a VIP lounge of a strip club watching old drunk Japanese "masters" chase naked girls. Take that sentence I just wrote, fiddle with the margins until it takes up 1/3 the page, and that's a pretty average example of the writing here. Chinn took a fascinating man (and Sid Woodcock was definitely that), and made his story about as exciting as a vacuum cleaner service manual.

There are some interesting parts concerning the evolution of Detonics firearms, but they are few and far between. The bulk of it is bad scans of images (several cannot even be read) and inept self-promotion (I don't care that Allen Chinn created his own martial art at age 18 - no one is buying the book to learn that, yet about 20% of the book is about Allen).

Pass this one by. This isn't writing. This is barely even typing.

0 of 0 people found the following review helpful.

Sid Woodcock and Detonics, inside perspective.

By alan

A great inside perspective of early Detonics from an employee with various interests. This tribute to the late Sid Woodcock is a good read since it's written from a long time friend and not in a memoir format. The stories involving Sid and Allen's interaction are funny and intriguing, and also hint at Sid's elusive life as a past OSS operative.

If you enjoy reading books in a different format and are willing to pick up a quick and interesting book, you would enjoy "Combat Master: Sid Woodcock and Detonics".

See all 7 customer reviews...

# **COMBAT MASTER - SID WOODCOCK AND DETONICS BY ALLEN CHINN PDF**

Your impression of this book **Combat Master - Sid Woodcock And Detonics By Allen Chinn** will certainly lead you to get what you precisely require. As one of the impressive books, this publication will certainly provide the visibility of this leded Combat Master - Sid Woodcock And Detonics By Allen Chinn to collect. Also it is juts soft documents; it can be your cumulative file in gadget as well as various other tool. The vital is that usage this soft data book Combat Master - Sid Woodcock And Detonics By Allen Chinn to review as well as take the advantages. It is just what we mean as book Combat Master - Sid Woodcock And Detonics By Allen Chinn will certainly enhance your ideas and mind. Then, reviewing book will likewise enhance your life top quality better by taking good activity in balanced.

As one of the window to open up the new globe, this *Combat Master - Sid Woodcock And Detonics By Allen Chinn* provides its amazing writing from the writer. Published in one of the popular authors, this publication Combat Master - Sid Woodcock And Detonics By Allen Chinn turneds into one of one of the most desired books lately. Really, the book will certainly not matter if that Combat Master - Sid Woodcock And Detonics By Allen Chinn is a best seller or otherwise. Every book will always offer ideal resources to obtain the viewers all finest.